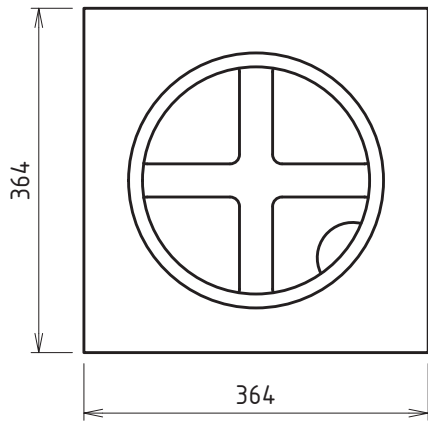
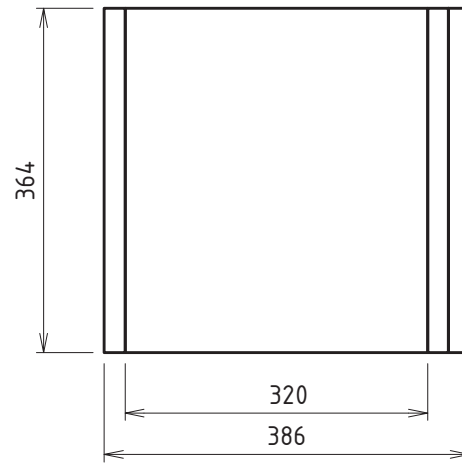


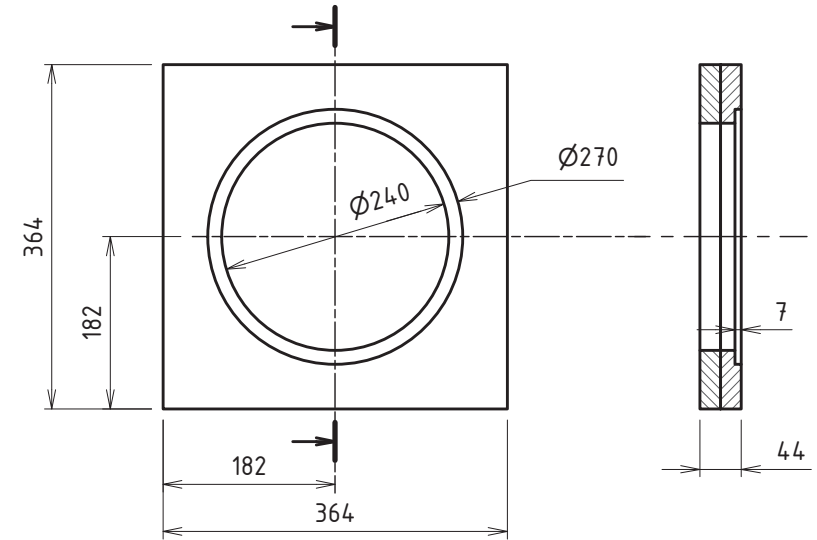
Front View



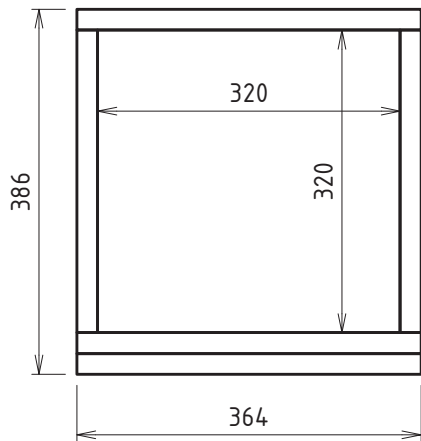
Side View



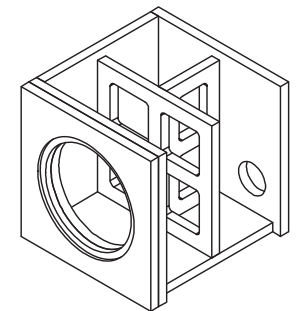
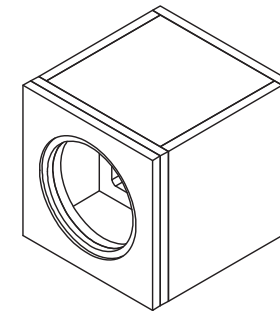
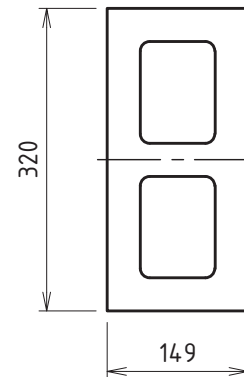
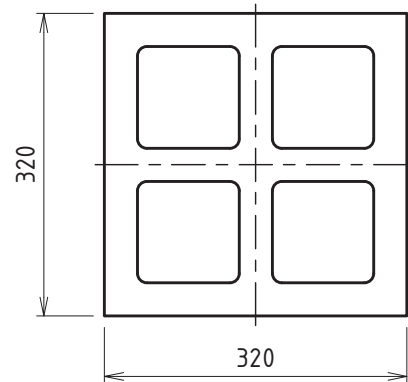
Front Panel



Top View



Stiffenings



- > Stiffening ribs = 35 mm
- > Material thickness = 22 mm
- > Always check the actual measurements of the used speaker parts!

Subwoofer enclosure for Redcatt SW 10.8 Series

- > Terminal, feet & handles are to be added as desired.
- > Dimensions can be modified as needed if the enclosure is providing a volume of approximately 30 liter.



Redcatt Subwoofer 10"
BPA Reference Enclosure Nr. 1007

Version 1.0
03.09.2021

Sheet 1 of 1